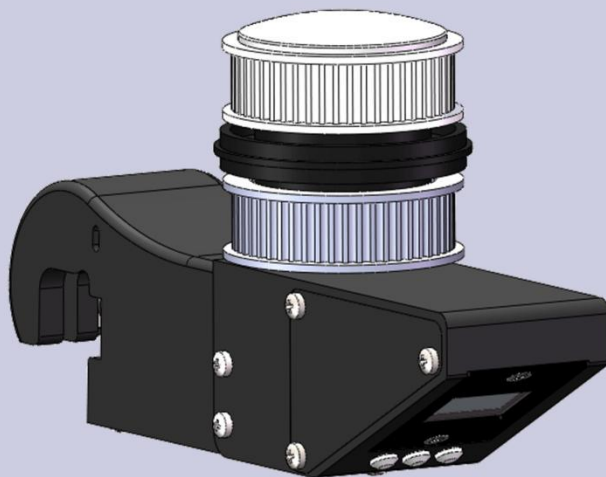


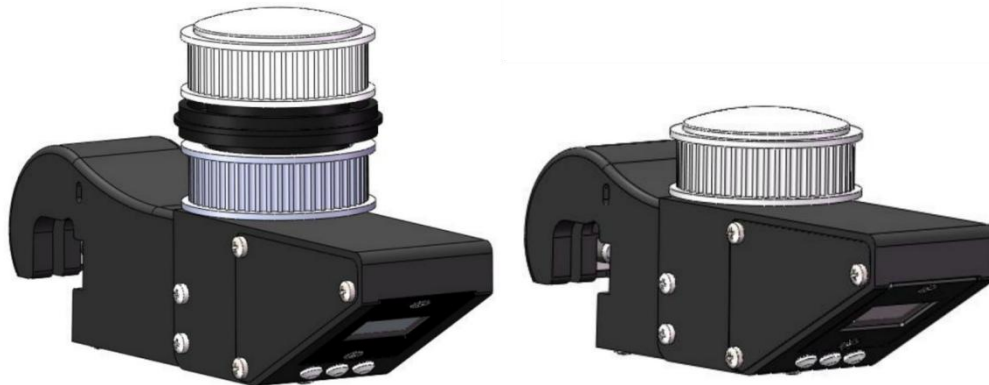


数字测纱器

DIGITAL YARN LENGTH SENSOR



一、数字测纱仪简介/Introduction to Digital Yarn Length Sensor



本产品的主要作用为测量当前的送纱长度，并通过数字化屏幕的形式进行实时显示更新；同时监测到当前纱长值超过设定值时进行报警提示。

The main function of this product is to measure the current yarn feeding length and display it in real-time on a digital screen. It also provides an alarm alert when the current yarn length exceeds the set value.

本产品有两种外观结构，分别为长款与短款，用户可以根据实际情况进行选配。

There are two types of appearances for this product: long and short, which can be selected according to the actual situation.

本产品有两种显示模式，分别为百针模式与圈纱长模式；百针模式，纱长值精确到mm；圈纱长模式，纱长值精确到dm；用户可根据实际需要自由切换。

There are two display modes for this product: hundred-needle mode and turn yarn length (yarn feeding length per turn) mode. In hundred-needle mode, the yarn length is displayed in mm. In turn yarn length mode, the yarn length is displayed in dm. Users can freely switch between these modes based on their needs.

二、数字测纱仪整体外观/Overall Appearance of the Digital Yarn Tester

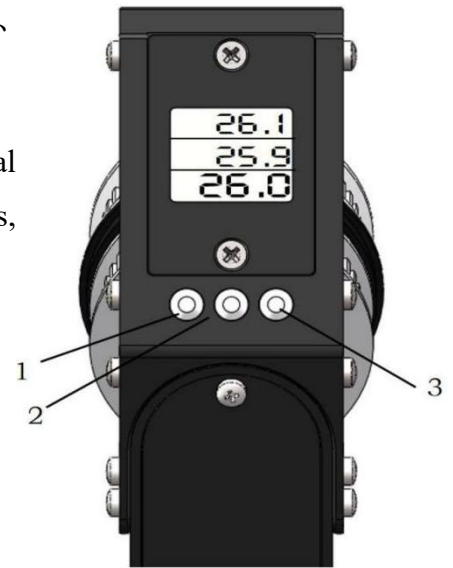
数字测纱仪整体由外壳（包含纱轮等外部机械结构）、显示屏、按键、纱长传感器等组成。

The digital yarn tester consists of a housing (including external mechanical structures such as yarn wheel), display screen, buttons, and yarn length sensor.

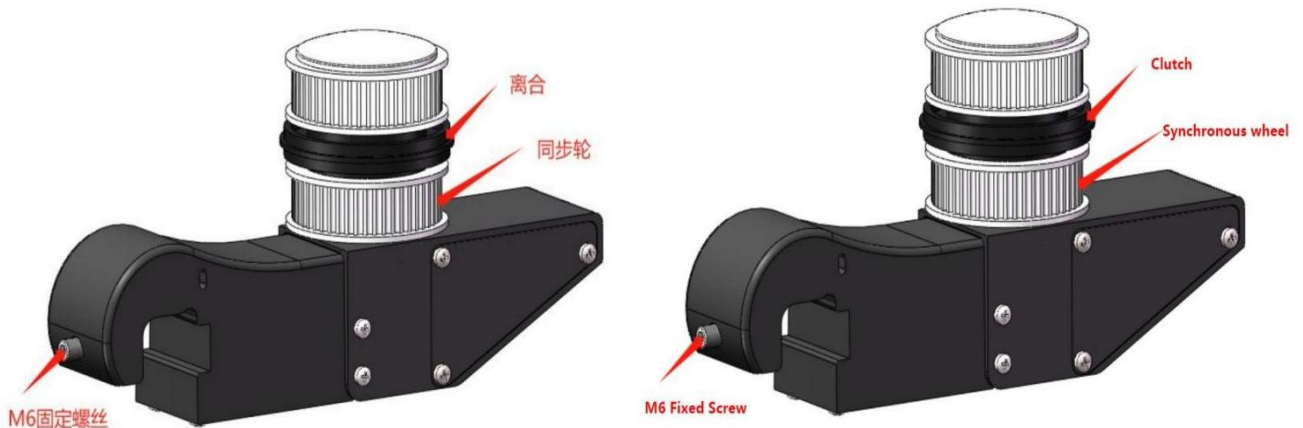
按键 1：“减”按键/ Button 1: "Decrease" button

按键 2：“设置”按键/ Button 2: "Set" button

按键 3：“加”按键/ Button 3: "Increase" button



三、机械安装/Machine Installation



1. 将数字测纱仪安装到纱架上，然后将螺丝锁紧固定。

Install the digital yarn tester onto the yarn rack and securely tighten the screws.

2. 将大圆机皮带拉至测纱仪同步轮，让皮带与同步轮啮合，将测纱仪同步轮离合器拨至皮带相应方向。

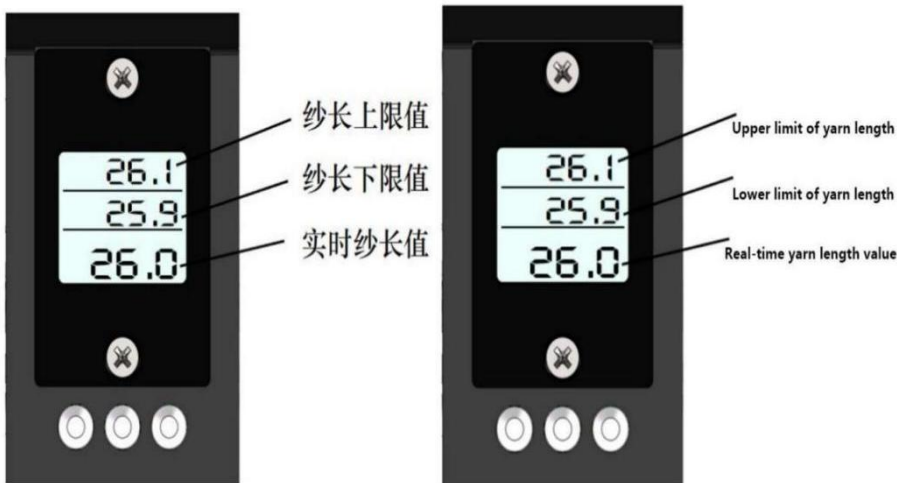
Pull the belt of the circular knitting machine to the synchronous wheel of the yarn tester, ensuring that the belt engages with the synchronous wheel. Set the clutch of the yarn tester's synchronous wheel to the corresponding direction of the belt.

四、页面简介以及功能/Introductions to Page and Functions

1. 主页面/Home Page

主页面顶部从上至下分别为：纱长上限值、纱长下限值与实时纱长值。

The home page consists of the following elements from top to bottom: Upper limit of yarn length, lower limit of yarn length, and real-time yarn length value.



主页按下“设置”按键，进入设置页面（处于主页时，其他两个按键功能屏蔽）。

Press the "Set" button on the home page to enter the settings page (when on the home page, the functions of the other two buttons are disabled).

2. 设置页面/ Settings Page

设置页面的子页面间的切换由短按“设置”按键实现。

To switch between sub-pages on the settings page, simply press the "Set" button.

显示屏第三行显示英文字母代表正在进行所对应项设置，显示屏第三行显示数字位代表正在进行所对应的数字位设置。

The third line of the display screen shows a letter to indicate the corresponding setting in progress, while the third line displays a numerical digit to indicate the specific digit being set.

例如/For instance:

显示屏第三行显示英文字母 H 代表正在进行纱长上限值设置，显示屏第三行显示数字 1 代表正在进行纱长上限值的小数位设置；

If the third line of the display screen shows the letter "H", it indicates that the upper limit of yarn length is being set.
If the third line displays the number "1", it represents the decimal digit of the upper limit of yarn length being set.

显示屏第三行显示英文字母 H 代表正在进行纱长上限值设置，显示屏第三行显示数字2代表正在进行纱长上限值的个位设置；

If the third line of the display screen shows the letter "H", it indicates that the upper limit of yarn length is being set.
If the third line displays the number "2", it represents the units digit of the upper limit of yarn length being set.

显示屏第三行显示英文字母 H 代表正在进行纱长上限值设置，显示屏第三行显示数字3代表正在进行纱长上限值的十位设置；（纱长上限值最高位两位数，并且精确到一位小数）

If the third line of the display screen shows the letter "H", it indicates that the upper limit of yarn length is being set.
If the third line displays the number "3", it represents the tens digit of the upper limit of yarn length being set. (The highest digit of the upper limit of yarn length is two digits and accurate to one decimal place.)